

SIEMENS

Ingenuity for life



SIRIUS 3SE5 Position Switches

Modular design for all applications

www.siemens.co.in




Introduction:

Accurate and dependable: SIRIUS detecting devices stand guard

There is a lot of information in the field. To capture the data accurately, we need devices which you can rely on. Our comprehensive range of SIRIUS limit switches is just what one need for nearly any field-level application. Our mechanical high-precision limit switches dependably detect any motion sequence, convert the event into electrical signals and transmit the data to your control systems, so that you can immediately shut down your machines and systems if a fault occurs, reliably and with everything under control.

Always in step with developments: The complete range of limit switches

Whatever information you need and no matter how you want to get it, our portfolio offers the right solution. From standard limit switches in a plastic or metal enclosure for any conceivable standard or safety-related application, to switches with short-stroke contact block for high-precision disconnect, and switches with separate actuator or with solenoid interlocking, e.g. for the secure interlocking of protective doors.

Whether you use the switches for standard functions or in safety circuits, no unexpected movement escapes our detecting devices – no matter how harsh the conditions are. Thanks to positive-opening contacts  complying with the standard IEC 60947-5-1 all our mechanical position switches are suitable for use in applications up to Category 4 according to ISO 13849-1 (EN 954-1).

All modules/devices which have positive-opening code can be used in safety circuits.

Features

Even more Compact, Modular, Simple to connect:

The new generation of SIRIUS 3SE5 limit switches offers whole series of advantages to meet market demands.

- Modular design with many standardized components reduces the number of variants, simplifies part stockage and increases the availability of spare parts.
- Plug-in design and a standardized interface simplify installation and replacement of the actuator heads.
- Turnable actuator heads around the axis in increments of 22.5°, with total 16 positions
- Quick-connect technology on our plastic enclosures according to EN 50047 (31mm wide) reduces installation time by up to 25%.
- The entire ASIsafe electronics are now integrated into the standard enclosure – ASIsafe now does not take up any extra space.

The modular design of the new generation of standard position switches saves time and increases flexibility during installation of a whole range of switch variants.

Easy Plug in Method




For fast replacement of actuator heads

- Open the cover
- Actuate the locking lever
- Replace the head Lock
- Lock and close the cover

Quick-connect Technology

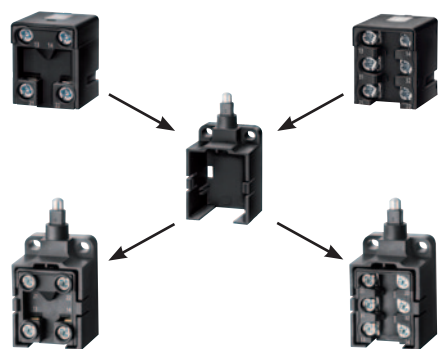
For plastic enclosure with width of 31mm



Ease of wiring

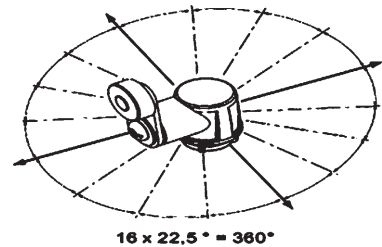
- Connect the cable to terminals
- Guide through the slit into the cable gland opening
- Approx. 20 to 25° wiring time saving

Exchangeable two and three-pole contact blocks



- Both two-pole and three-pole contact blocks fix in same size of enclosures
- Can be very easily exchanged.

Turnable Actuator Heads



$16 \times 22.5^\circ = 360^\circ$

- All Actuator heads can be turned around in increments of 22.5°

Optional LED displays



LED Indication (1xGreen + 1xYellow) available for all enclosures

Communication Capable (ASi safe)








Limit Switches are also available with integrated ASi safe electronics







Selection example

The Standard position switches' modular design facilitates time savings and increased flexibility for the mounting of different switch versions.

Modular selection	
Order example Position switch according to EN 50 047; Molded-plastic enclosure; Contacts 1 NO / 1 NC slow-action contact; Angular roller lever	Order example Position switch according to EN 50 047; Molded-plastic enclosure; Contacts 1 NO / 1 NC slow-action contact; Twist lever
To be ordered separately:	To be ordered separately:
 + 	 +  + 
Actuator head: 3SE5000-0AF10 + Basic switch: 3SE5232-0BC05	Twist lever: 3SE5000-0AA21 + Actuator head: 3SE5000-0AK00 + Basic switch: 3SE5232-0BC05

Accessories

	Contacts	Contact blocks for all widths
 Safety switch Positive opening in acc. with IEC 60947-5-1		
Installation in empty enclosure		
Switching points acc. to ...		EN 50 047
Mounting according to ...		EN 50 047
Installation in basic switch		
EN ... for switching points and mounting depending on basic switch		
Degree of protection	2	IP10
	3	IP10
Order number of basic switch with snap-action contacts ¹⁾	1 NO / 1 NC	3SE5000-0YA00
	1 NO / 2 NC	3SE5000-0LA00
Order number of basic switch with slow-action contacts ²⁾	1 NO / 1 NC	3SE5000-0BA00
	1 NO / 2 NC	3SE5000-0KA00

Applications:

Limit switches are used to detect (end) positions of moving machine and plant parts. Limit switches are used in automatic control circuits where mechanical positions have to be converted into electrical signals for controlling remote starters, contactors etc.




The 3SE5 limit switches are ideally suited for control of machine tools, elevators, cranes, conveyors, gates, doors and various other applications.

Standards:

IEC 60947-5-1 or EN 60947-5-1

- 1) Snap action contacts: NC & NO contacts switch simultaneously, irrespective of the actuating speed
- 2) Slow action contacts: the switching speed is equal to the actuating speed difference in travel (zero current interval) between NO & NC contact $V_{min} = 0.4$ m/s.

Technical specifications

Type	Open Type	Enclosed Type				
		Plastic		Metal		
		3SE5 25	3SE5 232	3SE5 242	3SE5 212	3SE5 112
General data						
Standards		IEC 60947-5-1, EN 60947-5-1				
Rated insulation voltage U_i Degree of pollution according to IEC 60664-1	V	415 ¹⁾ Class 3				
Rated impulse withstand voltage U_{imp}	kV	6 ¹⁾				
Rated operational voltage U_e	V	400 AC ¹⁾ ; over 300 V AC Same potential only ²⁾				
Conventional thermal current I_{th}	A	10A (2P) & 6A (3P)				
Rated operational current I_e • With alternating current 50/60 Hz - At 24 V - At 120 V - At 240 V • For direct current - At 24 V - At 125 V - At 250 V	A	2-pole I_e / AC-15 6 6 3 I_e / DC-13 3 0.55 0.27		3-pole I_e / AC-15 6 3 1.5 I_e / DC-13 3 0.55 0.27		
Short-circuit protection³⁾ • With DIAZED fuse links, Operational class gG	A	6				
Mechanical endurance • Basic switch • With spring rod, 3SE5...-..R.. • With fork lever, 3SE51...-..T..		15 × 10 ⁶ operating cycles 10 × 10 ⁶ operating cycles 1 × 10 ⁶ operating cycles				
Electrical endurance • With 3RH.1, 3RT contactors in size S00, S0 • For utilization category AC-15 when switching off I_e / AC-15 at 240 V • With utilization category DC-12/DC-13		10 × 10 ⁶ operating cycles 100 000 operating cycles For direct current depending on the loading of the switch				
Switching frequency With 3RH.1, 3RT contactors in size S00, S0		6 000 operating cycles/h				
Switching accuracy For repeated switching, measured at the plunger of the contact block • With twist actuators	mm	0.05 1°				
Rated data according to   and  • Rated voltage • Uninterrupted current • Switching capacity	V A	300 6 Heavy duty, A 300 / B 300 / Q 300 A 300 / Q 300				

Type	3SE523.	3SE524.	3SE521.	3SE511.	3SE512.	
Enclosure						
Enclosure • Material	Ultramid A3X2G7		Zinc diecasting GD Zn Al4 Cu1			
• Width	mm	31	50	31	40	56
Degree of protection acc. to IEC 60529	IP65		IP66/IP67 ¹⁾			
Ambient temperature • During operation • In operation, switch with LEDs • Storage, transport	°C	-25 ... +85 -25 ... +70 -40 ... +90				
Mounting position	Any					
Connection						
Cable entry	1x (M20x1.5)	2x (M20x1.5)	1x (M20x1.5)			
Conductor cross-sections • Solid • Finely stranded with/without end sleeve	mm ² mm ²	1 x (0.5 ... 1.5), 2 x (0.5 ... 0.75) 1 x (0.5 ... 1.5), 2 x (0.5 ... 0.75)				
Tightening torque , contact block	Nm	0.8 ... 1.0		M3.5		
		--				

1) For slow-action contact 1NO+2NC with make before break (M) and 2NO+1NC (P) the following applies: 250V, For M type & P type U_{imp} 4kV, U_i 250V, U_e ¹⁾ For M type P type U_i 250V

2) For slow-action contact 1NO+2NC with make before break (M) and 2NO+1NC (P) the following applies: over 250V AC only equal potential



3) Without any welds according to IEC-60947-5-1

Selection and ordering data



Selection of basic switches

	Contacts	Molded-plastic enclosure		Metal enclosure		
		31 mm width	50 mm width	31 mm width	40 mm width	56 mm width
 Safety switch Positive opening in acc. with IEC 60947-5-1						
Switching points acc. to ...		EN 50 047		EN 50 041		
Mounting according to ...		EN 50 047		EN 50 041		
Degree of protection		IP65	IP66/IP67	IP66/IP67	IP66/IP67	IP66/IP67
Number of screw connections M20 x 1.5	–	1	2	1	1	3
Order number of basic switch with snap-action contacts ¹⁾	1NO/1NC	3SE5232-0YC05	3SE5242-0YC05	3SE5 212-0YC05	3SE5112-0YA00	3SE5122-0YA00
	1NO/2NC	3SE5232-0LC05	3SE5242-0LC05	3SE5 212-0LC05	3SE5112-0LA00	3SE5122-0LA00
Order number of basic switch with slow-action contacts ²⁾	1NO/1NC	3SE5232-0BC05	3SE5242-0BC05	3SE5 212-0BC05	3SE5112-0BA00	3SE5122-0BA00
	1NO/2NC	3SE5232-0KC05	3SE5242-0KC05	3SE5 212-0KC05	3SE5112-0KA00	3SE5122-0KA00
	2NO+1NC	3SE5232-0PC05	3SE5242-0PC05	3SE5 212-0PC05	3SE5112-0PA00	3SE5122-0PA00
Order number of basic switch with make before contacts	1NO+2NC	3SE5232-0MC05	3SE5242-0MC05	3SE5 212-0MC05	3SE5112-0MA00	3SE5122-0MA00

Open Type

IP 10				
Actuator Type		Contact Arrangement	No. of Contacts	MLFB
Open		Snap action	1NO + 1NC	3SE5 250-0YC05
		Slow action		3SE5 250-0BC05
Open		Snap action	1NO + 2NC	3SE5 250-0LC05
		Slow action		3SE5 250-0KC05
		Slow action contacts with make before break	1NO + 2NC	3SE5 250-0MC05
		Slow action	2NO + 1 NC	3SE5 250-0PC05

Plastic Enclosed: Modular unit (IP65)




Basic switch				
Actuator Type		Contact Arrangement	No. of Contacts	MLFB
31mm		Snap Action	1NO + 1NC	3SE5 232-0YC05
		Slow Action		3SE5 232-0BC05
		Snap Action	1NO + 2NC	3SE5 232-0LC05
		Slow Action		3SE5 232-0KC05
		Slow-action contacts with make-before-break		3SE5 232-0MC05
		Slow Action	2NO + 1NC	3SE5 232-0PC05
50mm		Snap Action	1NO + 1NC	3SE5 242-0YC05
		Slow Action		3SE5 242-0BC05
		Snap Action	1NO + 2NC	3SE5 242-0LC05
		Slow Action		3SE5 242-0KC05
		Slow-action contacts with make-before-break		3SE5 242-0MC05
		Slow Action	2NO + 1NC	3SE5 242-0PC05

Note: The basic switch comes with Teflon plunger, in case of Rounded plunger requirements no need to order Actuator separately

Actuator heads for 31mm plastic, 50mm plastic & 31mm metal housing

Plastic Roller Actuators heads			Metal Roller Actuators heads		
Actuator Type	Actuators heads	MLFB	Actuator Type	Actuators heads	MLFB
Rounded Plunger			Roller Plunger		3SE5 000-0AD04
Roller Plunger		3SE5 000-0AD03	Roller lever		3SE5 000-0AE11
Roller lever		3SE5 000-0AE10	Part turn actuator for twist lever		3SE5 000-0AK00
Angular Roller lever		3SE5 000-0AF10	Twist Lever (Adjustable)		3SE5 000-0AA51
Part turn actuator for twist lever		3SE5 000-0AK00	Plain Plunger		3SE5 000-0AB01
Twist Lever		3SE5 000-0AA21			
Twist Lever (Adjustable)		3SE5 000-0AA50			

Metal Enclosed: Modular unit (IP66/IP67)


Basic switch				
Actuator Type		Contact Arrangement	No. of Contacts	MLFB
31mm		Snap Action	1NO + 1NC	3SE5 212-0YC05
		Slow Action		3SE5 212-0BC05
		Snap Action	1NO + 2NC	3SE5 212-0LC05
		Slow Action		3SE5 212-0KC05
		Slow action contacts with make before break		3SE5 212-0MC05
		Slow Action	2NO + 1NC	3SE5 212-0PC05
40mm		Snap Action	1NO + 1NC	3SE5 112-0YA00
		Slow Action		3SE5 112-0BA00
		Snap Action	1NO + 2NC	3SE5 112-0LA00
		Slow Action		3SE5 112-0KA00
		Slow action contacts with make before break		3SE5 112-0MA00
		Slow Action	2NO + 1NC	3SE5 112-0PA00
56mm		Snap Action	1NO + 1NC	3SE5 122-0YA00
		Slow Action		3SE5 122-0BA00
		Snap Action	1NO + 2NC	3SE5 122-0LA00
		Slow Action		3SE5 122-0KA00
		Slow action contacts with make before break		3SE5 122-0MA00
		Slow Action	2NO + 1NC	3SE5 122-0PA00



Actuator heads for 40mm metal & 56mm metal housing

Metal Roller Actuators heads		
Actuator Type	Actuators heads	MLFB
Rounded Plunger		3SE5 000-0AC02
Roller Plunger		3SE5 000-0AD02
Roller lever		3SE5 000-0AE02
Angular Roller lever		3SE5 000-0AF02
Part turn actuator for twist lever		3SE5 000-0AH00
Twist Lever		3SE5 000-0AA02
Twist Lever (Adjustable)		3SE5 000-0AA51

Plastic Roller Actuators heads		
Actuator Type	Actuators heads	MLFB
Roller lever		3SE5 000-0AE01
Angular Roller lever		3SE5 000-0AF01
Part turn actuator for twist lever		3SE5 000-0AH00
Twist Lever		3SE5 000-0AA01
Twist Lever (Adjustable)		3SE5 000-0AA50
Fork type		3SE5 000-0AT01
Mounting Head for Fork Type		3SE5 000-0AT10

Spares and Accessories

Actuator Type	Type	Description	MLFB
Empty enclosures		Empty enclosures without contact block	3SE5 250-0AC05



Actuator Type	Type	Contact Arrangement	No. of Contacts	MLFB
Contact block		Snap action	1NO + 1NC	3SE5 000-0YA00
		Slow action		3SE5 050-0BA00*
		Snap action		3SE5 000-0YA00
		Slow action		3SE5 000-0BA00 [§]
		Slow action	1NO + 2NC	3SE5 000-0KA00
		Snap action		3SE5 000-0LA00
		Slow-action make-before-break contacts		3SE5 000-0MA00
		Slow action		3SE5 000-0PA00

Note: § 3SE5000-0BA00 can be used only with enclosed type switch

* Suitable for Open execution

Actuator Type	Type	Description	MLFB
Cable gland		Molded Plastic Cable Gland, M20X1.5	3SX9926
Protective Cap		Protective Cap. Acc. to EN50047, for protection of rounded plunger	3SE5 000-0AC30

Empty enclosures:

Actuator Type	Type	Type	MLFB
31MM		Plastic	3SE5 232-0AC05
50MM			3SE5 242-0AC05
31MM		Metal	3SE5 212-0AC05
40MM			3SE5 112-0AA00
56MM			3SE5 122-0AA00

Installation Guide

Points to be noted before installing limit switches:

- Permissible type of actuator
- Direction of approach
- Actuation speed
- Distance between actuator and cam
- Form of actuating element
- Favorable material pair (actuator head - actuator)

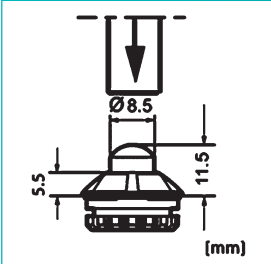
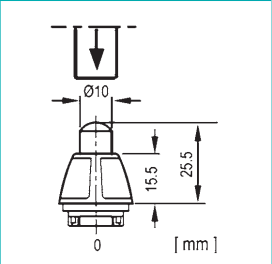
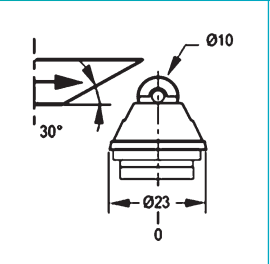
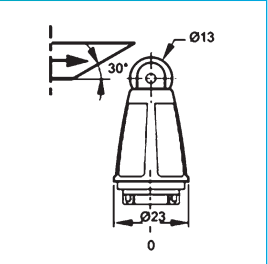
*All limit switches operate independently of their position.

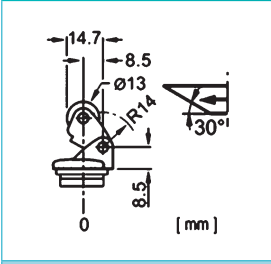
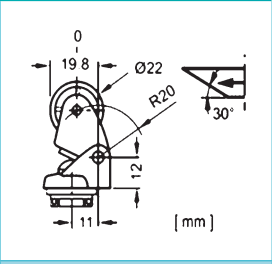
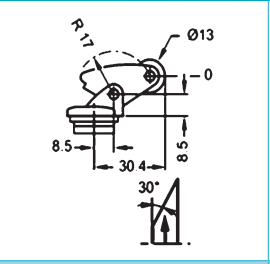
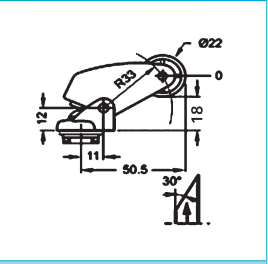
*Limit Switches should never be used as mechanical stop.

The adjustable-length twist lever is intended for cases where an actuating element with approach angle and trailing angle is not possible for technological reasons (e.g., packages, bottles, etc.)

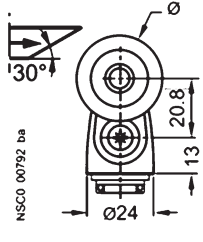
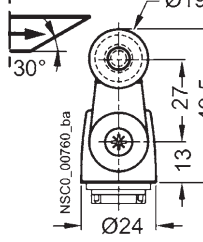
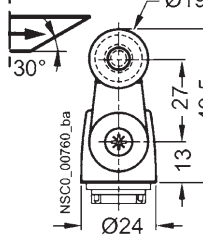
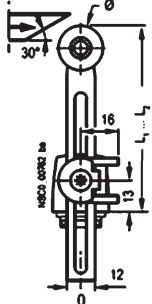
Mechanical Conditions for Switch Selection

- The actuator must be selected according to the operating method.
- Check the operating speed and switching frequency.
 1. If the operating speed is extremely low, the switching of the movable contact will become unstable, thus resulting in incorrect contact or contact weld.
 2. If the operating speed is extremely high, the Switch may break due to shock. If the switching frequency is high, the switching of the contacts cannot catch up with the switching frequency. Make sure that the switching frequency is within the rated switching frequency.
- Do not impose excessive force on the actuator, otherwise the actuator may get damaged or may not operate correctly.
- Make sure that the stroke is set within the suitable range specified for the model, or otherwise the Switch may break.

	Plain Plunger		Roller Plunger	
				
	OAB01	OAC02	OAD03	OAD02
Approach Direction	In travel Direction	In travel Direction	Perpendicular to travel axis	Perpendicular to travel axis
Approach Velocity	$v \leq 1.5 \text{ m/s}$	$v \leq 1.5 \text{ m/s}$	$v \leq 1 \text{ m/s}$	$v \leq 1 \text{ m/s}$
Overtravel	-	3mm	-	3mm
Plunger/Roller type	Stainless Steel	Stainless Steel	Plastic	Stainless Steel

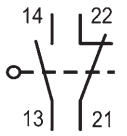
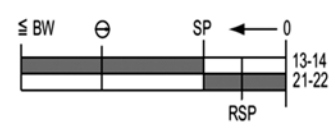
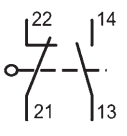

	Roller Lever		Angular Roller Lever	
				
	OAE10	OAE01	OAF10	OAF01
Approach Direction	Right	Right	Below	Below
Approach Velocity	$v \leq 1 \text{ m/s}$	$v \leq 1 \text{ m/s}$	$v \leq 1 \text{ m/s}$	$v \leq 1 \text{ m/s}$
Lever type	Metal	Metal	Metal	Metal
Roller type	Plastic	Plastic	Plastic	Plastic
Roller Ø	13mm	22mm	13mm	22mm

Actuating force for all variant $6 \pm 1.5\text{N}$

	Fixed Length Twist Lever		Adjustable Length Twist Lever
			
			
	OAA21	OAA01	OAA50
Approach Direction	Both Left and Right	Both Left and Right	Both Left and Right
Approach Velocity	$v \leq 1.5$ m/s	$v \leq 1.5$ m/s	$v \leq 1.5$ m/s
Lever type	Metal	Metal	Metal
Roller type	Plastic	Plastic	Plastic
Lever length	21mm	27mm	100mm
Roller Ø	19mm	19mm	19mm

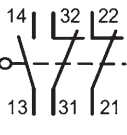
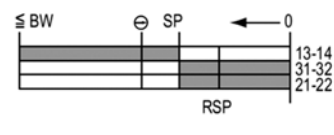
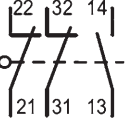

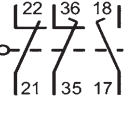
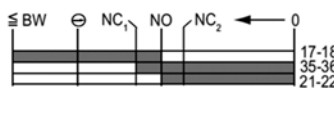
Electrical Connection:

2 Contacts

	Terminal Diagram	Operating Travel Diagram
Snap Action		
Slow Action		



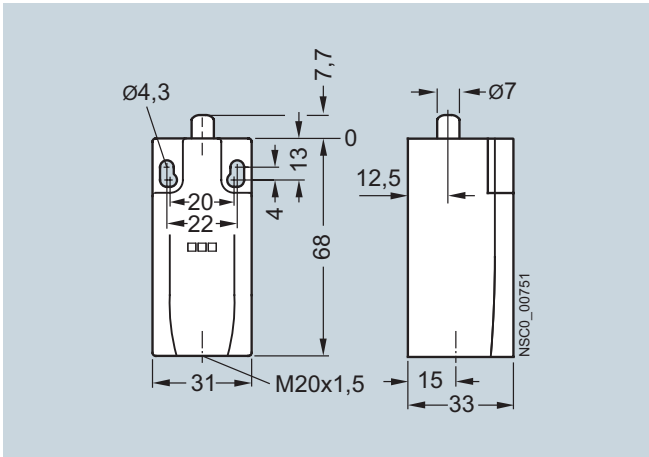
3 Contacts

	Terminal Diagram	Operating Travel Diagram
Snap Action		
Slow Action		
Slow-action make-before-break contacts		

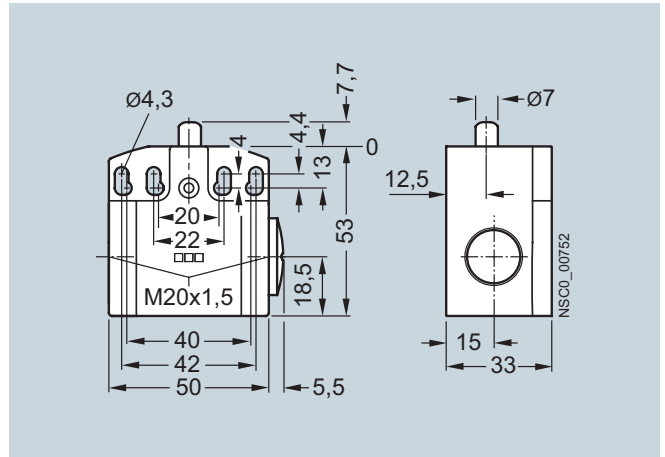


Dimensional Drawings:

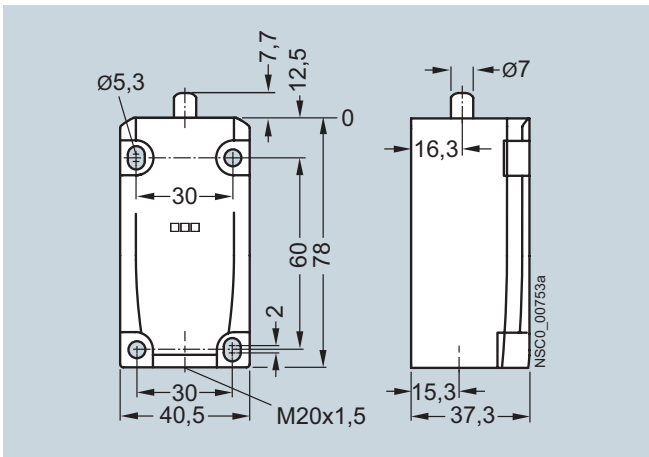
3SE5 232/212



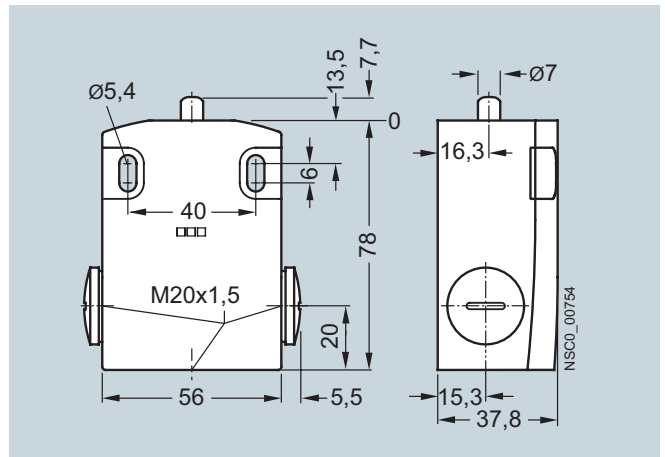
3SE5 242



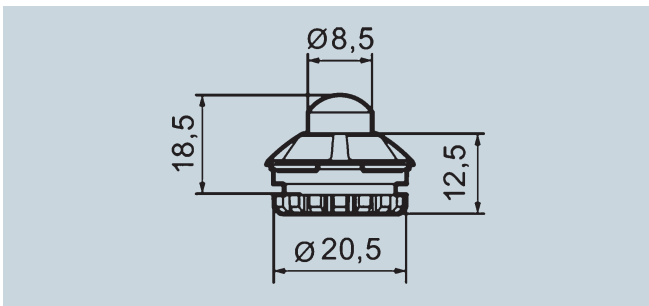
3SE5 112



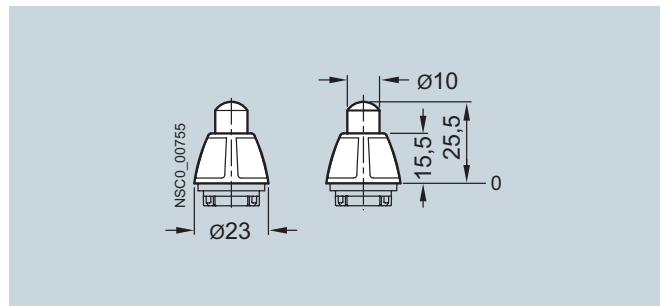
3SE5 122



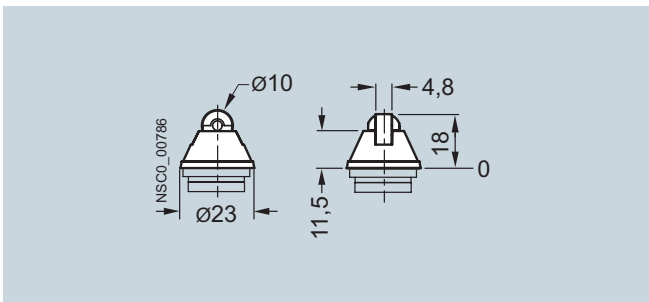
OAB01



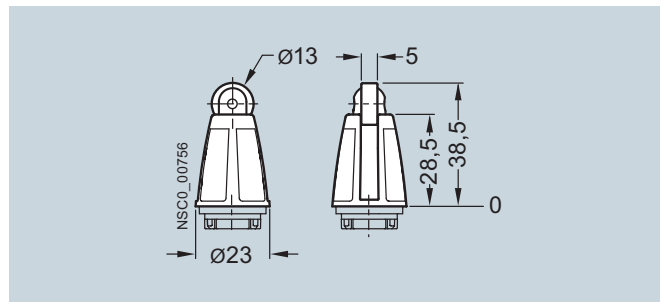
OAC02



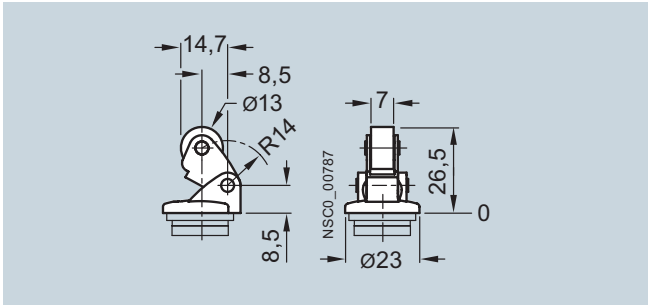
OAD03



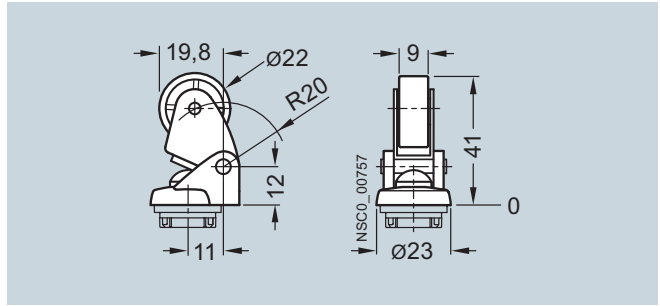
OAD02



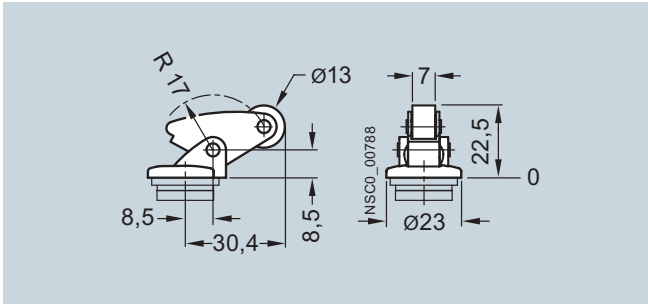
OAE10



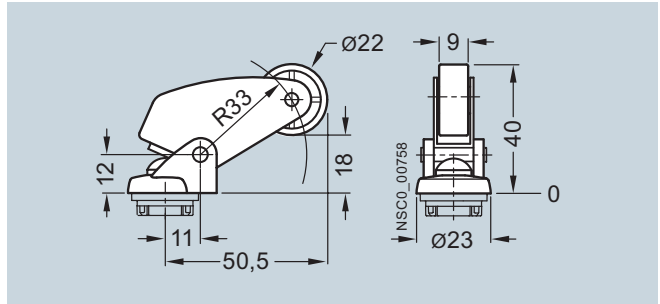
OAE01



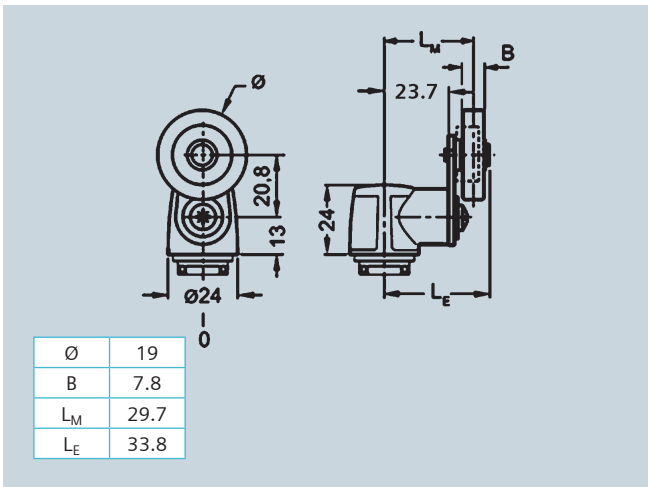
OAF10



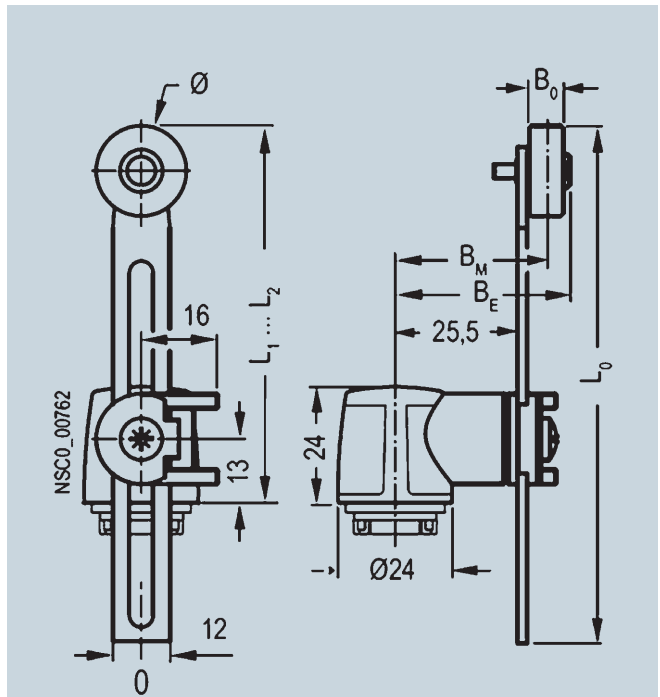
OAF01



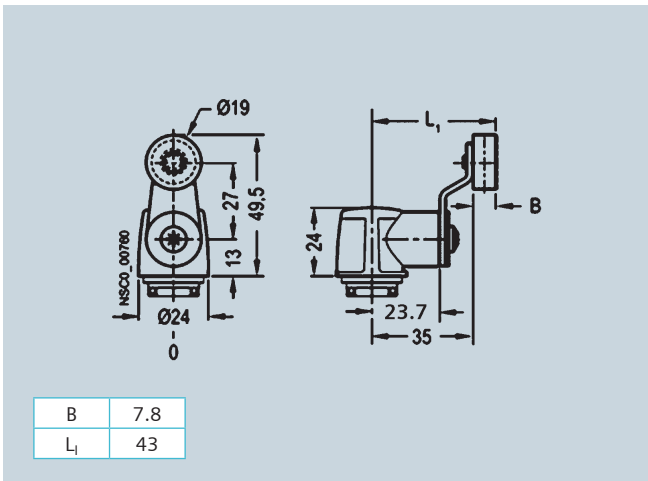
OAA21



OAA50



OAA01



Your partners

Sales offices:

Ahmedabad

3rd Floor, Prerna Arbour
Girish Coldrinks Cross Roads, Navrangpura
Ahmedabad - 380 009
☎ : +91 79 30927600
Fax: +91 79 30927699

Baroda

Ground Floor, Urja Bhavan
Opp.Makarapura Railway Station, Maneja
Vadodara - 390 013
☎ : +91 265 3957701
Fax: +91 265 3039190

Bengaluru

1st Floor, Jyoti Mahal, No. 49, St. Marks Rd.
Bengaluru - 560 001
☎ : +91 80 33422000
Fax: +91 80 33424131

Chandigarh

SCO 188/191, 3rd Floor, Sector-17 C
Chandigarh - 160 017
☎ : +91 172 4690300
Fax: +91 172 4690399

Territory managers:

Aggra

31, Maitri Bagh, Dayal Bagh
Aggra - 282005, UP
Mobile: +91 7619047999
E-mail: achint.mathur@siemens.com

Angul

Flat No. 209, Block - B, 2nd Floor
OM Residency, Gandhi Marg
Infront of Kalyani Nursing Home
Angul, Odisha - 759122
Mobile: +91 9437114662
E-mail: sudipta.garnayak@siemens.com

Aurangabad

Flat No. 603, Building A2
Disha Sanskriti Sikkity, Palthan Road
Aurangabad - 431001 (MH)
Mobile: +91 7720032974
E-mail: Prashant.Joshi@siemens.com

Belgaum

H.No.713, Narvekar Lane, Shahpur
Belgaum - 590003, Karnataka
Tel. : +91 0831 2495156
Mobile: +91 9740277991
E-mail: anand.gawade@siemens.com

Belgaum

Flat No. 7, 2nd Floor, Jyotirling Plaza
Congress Road, Thilakwad
Belgaum - 590011, Karnataka
Mobile: +91 7259400100
E-mail: prathish.t.m@siemens.com

Bharuch

Gold B, 804, Samruddhi Residency
Opp.Zadeshwar Bus Stop, Zadeshwar Road
Bharuch - 392011
Mobile: +91 9429937805
E-mail: kalpeshkumar.darji@siemens.com

Bhilai

Clo. Mr. Anil Dhusia, Qtr No. 4A, Street 33
Sector - 4, Bhilai - 490001
Mobile: +91 7869922211
E-mail: pravin.deshbhara@siemens.com

Bhopal

Flat No. 104, Sagor Home Phase-2
Sarvadhama Society, Sector A
Nayapura Road
Bhopal - 462042, Madhya Pradesh
Mobile: +91 997728084
E-mail: prajwal.khapekar@siemens.com

Bhubaneswar

104 Sector 5, Niladri Vihar, Chandrasekharapur
Bhubaneswar, Odisha - 751021
Mobile: +91 7399638488
E-mail: ravi.modi@siemens.com

Bhubaneswar

Plot No. 233, Shahid Nagar
Bhubaneswar - 751007
Mobile: +91 7894436373
E-mail: somnath.manna@siemens.com

Bhubaneswar

Plot No. 486, Flat No. 302
Archid Royal Apartment, Nageswar Tangi
Bhubaneswar - 751002, Odisha
Mobile: +91 9040001343
E-mail: pm.barik@siemens.com

Boisar

Flat No. A-21, Sai Sagars CHS
MAHADA Colony, Chitrayalaya Road
Boisar - 401506
Mobile: +91 9819231892
E-mail: debashis.biswas@siemens.com

Cochin

K.G.Oxford Business Centre
3A, Shreekanth Rd., Ravipuram
Cochin - 682016
Tel.: +91 402861122
Mobile: +91 9846006580
E-mail: girish.v_nair@siemens.com

Cochin

K.G.Oxford Business Centre
3A, Shreekanth Road, Ravipuram
Cochin - 682016
Mobile: +91 9526065551
E-mail: abhishhek.tyagi@siemens.com

Chennai

4th Floor, ETA Mount Central
Seethakathi Business Centre, Mount Road
Chennai - 600006
☎ : +91 44 30474000
Fax: +91 44 30474080

Coimbatore

1st Floor, "Senthil Towers"
1078, Avinashi Road
Coimbatore - 641018
☎ : +91 422 3076300
Fax: +91 422 3076310

Gurgaon

Plot No. - 78, Tower - B
Jagatjit Industries Building (JIL)
Opposite SBI Academy, Sector-18
Gurgaon - 122015
☎ : +91 124 2842000, 3810200

Cochin

K.G.Oxford Business Centre
3A, Shreekanth Road, Ravipuram
Cochin - 682016
Mobile: +91 9656690111
E-mail: vinu.pillai@siemens.com

Durg

Plot No. 18 Anand Vihar Phase-1
Borsi South, Durg - 491001, (CG)
Mobile: +91 9425016197
E-mail: jitendra.potdar@siemens.com

Durgapur

C-5, Pritilata Wadadberithi, City Centre
(Near Nursing Home), Durgapur - 713216
Mobile: +91 9874577667
E-mail: subhashish.dey@siemens.com

Gandhidham

Plot No. 299, Ward 3A, Adipur
Gandhidham - 370205, Gujarat
Mobile: +91 9099010323
E-mail: Vismay.pandya@siemens.com

Goa

House No. S-2, Classque Appartment
Porvarim, Goa - 403501
Mobile: +91 7722008113
E-mail: jitihn.jacob@siemens.com

Gulbarga

Flat No.13, 3rd Floor, Shubha Residence
Deshmukh Layout, Drajmapur, Kalaburagi
Gulbarga District - 585103 Karnataka
Mobile: +91 7259661717
E-mail: anirudh.ganta@siemens.com

Guwahati

H.No. 20, Ushanagar, Dispur Supermarket
Guwahati - 781006, Assam, India
Mobile: +91 9874484442
E-mail: subhajyoti_majumder@siemens.com

Guwahati

H.No. 20, Ushanagar, Dispur Supermarket
Guwahati - 781006, Assam, India
Mobile: +91 9903200417
E-mail: Amitava.Mondal@siemens.com

Haridwar

Plot No. 3B, House No. 229/30
Deep Ganga Apartments, Sector-5A, SIDCUL
Haridwar - 249403, UP
Mobile: +919839102434
E-mail: shagun.gupta@siemens.com

Hospet

Ramanand Residency, Flat No. 204
1st Main, Nehru Co-op Colony
Hospet - 583203, Karnataka
Mobile: +91 9901400227
E-mail: roy.sanjib@siemens.com

Hospet

Mahima's, Door No.1288, 9th Ward
Near Markendeshwara School
M.P.Prakash Nagar
Hospet - 583201 Distt Bellary, Karnataka
Mobile: +91 9945859004
E-mail: nagaraj.r@siemens.com

Hospet

727, Lakshmi Narasimha Nilaya
Near Surbhi Kalyana Mantapa
Amaravathi, Hospet - 583203
Mobile: +91 9741114877
E-mail: naveen.r@siemens.com

Hosur

B2, "Sunshine" 1st Floor
Sipcot Housing Colony, Dharga
Hosur - 635126, Tamilnadu
Mobile: +91 9880213880
E-mail: kamalanaban.tv@siemens.com

Hubli

1/21, Sri Mallikarjuna Nilaya, 1st Floor
Somanagowdara Layout, Bengeri Extension
Hubli - 580023, Karnataka
Mobile: +91 9880003724
E-mail: kr.purushottam@siemens.com

Indore

Satyamitra Rajlaxmi Nature
D-410, Near Surya Temple, R R CAT
Pithampur Road, Indore - 452012
Mobile: +91 9977236899
E-mail: raghvendra.bhadouria@siemens.com

Hyderabad

5-9-19, 4th & 5th Floor
Laxmi Narasinh Estate
Opp. Secretariat Road
Saifabad
Hyderabad - 500 004
☎ : +91 40 30922500
Fax: +91 40 30923145

Jaipur

6, Park Street
Opp. Pink City Petrol Pump
M.I.Road
Jaipur - 302 006, Rajasthan
☎ : +91 141 5152108
Fax: +91 141 2370482

Jamshedpur

"Roshan Tower"
Main Road, Bistupur (2nd Floor)
Jamshedpur - 831001
☎ : +91 657 6682201

Indore

Clo. Mr. Mahendra Nandedkar
Plot No. CH-30, Scheme No. 74, Vijay Nagar
Near Prestige College, Indore - 452010
Mobile: +91 9049149199
E-mail: kulkarni.shridhar@siemens.com

Jaipur

Kirtan Enclave, Flat No. 316, C Block
Jaipur Keonjhar Road, Jaipur
Odisha - 755019, Chhordha Chaak
(Nearest Land Mark - SBI ATM counter)
Mobile: +91 9937189624
E-mail: probir.mukherjee@siemens.com

Jalandhar

H.No. 140, Ground Floor, Defence Colony
Jalandhar, Punjab - 144001
Mobile: +91 8427979870
E-mail: himanshu.kaushik@siemens.com

Jammu

H.No. 1A, Sector-1 Extension
Friends Colony, Near Marble Market
Trikuata Nagar Extension, Jammu - 190012
Mobile: +91 9888851497
E-mail: chander.parkash@siemens.com

Jodhpur

D-212, Near Sai Baba Mandir
Shankar Nagar, Pal Road, Jodhpur - 342007
Mobile: +91 766590333
E-mail: jain.nitin@siemens.com

Kanpur

Flat No.702, Pushpi Apartments
Sharda Nagar, Kanpur - 208025, UP
Mobile: +91 8650404404
E-mail: shashibhushan.prasad@siemens.com

Kolhapur

RS No. 84-1, Pinac Prasad, Fl. No. A-35
New Palace Road, Kolhapur - 416006
Mobile: +91 9850836839
E-mail: vinay.todkar@siemens.com

Kota

406, Manglayatan Apartment
Near Jain Temple, Bhimganj Mandi
Kota - 324002
Mobile: +91 9828419111
E-mail: avinash.mathur@siemens.com

Ludhiana

H.No. 1858, First Floor, Sector-32A
Ludhiana - 141008, Punjab
Mobile: +91 9876047929
E-mail: sunil.singla@siemens.com

Ludhiana

H.No. 728, First Floor, Sector-33,
Chandigarh Rd., Ludhiana - 141010, Punjab
Mobile: +91 9878094677
E-mail: rohit.bhardwaj@siemens.com

Ludhiana

R-115, Near DAV School
Sarabha Nagar Extension, Phase-2
Pakhowal Road, Ludhiana, Punjab - 142022
Mobile: +91 9888484066
E-mail: padam.sharma@siemens.com

Madurai

Anirudh Block F-Top 3
Vasudhara Apartment, 84, TPK Main Road
Andalpuram, Madurai - 625 003
Tamil Nadu
Mobile: +91 9894617776
E-mail: sivaprakasam.r@siemens.com

Mangalore

Flat No. 4H55/C, Door No. 1-17/3B1
Derball, Konchadi, Land Links Township
Mangalore - 575008
Mobile: +91 9980929254
E-mail: sagar.h@siemens.com

Meerut

E-205, Ansal Courtyard, Roorkee Bypass
Modipuram, Meerut - 250110, UP
Mobile: +91 9720999887
E-mail: singh.vineet@siemens.com

Meerut

C-904, Ansal Courtyard, Roorkee Bypass
Modipuram, Meerut - 250110, UP
Mobile: +91 9999702981
E-mail: shailendra.kumar@siemens.com

Kolkata

5th Floor, Infinium Digispace
CP-15, Sector V, Salt Lake
Kolkata - 700091
☎ : +91 33 30171911
Fax: +91 33 30171328

Lucknow

510-511, 5th Floor, Shalimar Titanium
Plot No. TC.G-1/1, Vibhuti Khand
Gomti Nagar, Lucknow
Uttar Pradesh 226010
☎ : +91 522 4031039

Mumbai

Business Centre-1
Thane Belapur Road
Thane - 400 601
☎ : +91 22 39663000
Fax: +91 22 39663721

Nashik

414, Rajdhar Bhandhu, Ghankar Lane
Ravivar Peth, Nashik - 422001
Mobile: +91 9822193204
E-mail: rushikesh.rajdhar@siemens.com

Nashik

Flat No. A-4203, Brindavan Gardens
Kedar Nagar, Shramik Nagar
Near Satpur MIDC, Nashik - 422012
Mobile: +91 9619620068
E-mail: jugal.shah@siemens.com

Neemrana

Flat No. F111, Anantraj Aashray Apartment
Plot No. 236 Japanese Zone
Neemrana - 301705, Dist.- Alwar
Mobile: +91 9650481919
E-mail: deepak.beniwal@siemens.com

Patna

Swastik Enclave, Flat No. 102
Ram Jaipal Nagar, Road No. 9, Gola Road
Bailly Road, Patna - 801503
Mobile: +91 9771414108
E-mail: vikash.prasad@siemens.co.

Pondicherry

R.A.M Paradise, II Floor, No.4, 2nd Cross
Kamban Nagar, Reddiarpalayam
Puducherry - 605010
Mobile: +91 9716609374
E-mail: gopalakrishnan.shanmugam@siemens.com

Raipur

103 Risabh Regency
Near Shri Medishine Hospital
New Rajendra Nagar Raipur(C.G) - 492001
Mobile: +91 9425601849
E-mail: raghuraj.bisen@siemens.com

Rajamahendravaram

Flat No. 401, SVR Residency
77-2-29/3, Gandhipuram-3
Rajamahendravaram - 531106, A.P.
Mobile: +91 9948664228
E-mail: naga.ganesa@siemens.com

Rajkot

301, Snowhill Apartment
Near Golden Supermarket, Amin Marg
Rajkot - 360007, Gujarat
Mobile: +91 9909904993
E-mail: piyush.thaker@siemens.com

Ranchi

H.No. 101-1, 1st Floor
Sundaram Apartment, Kilburn Colony
Hinoo, Ranchi, Jharkhand - 834002
Mobile: +91 8294052647
E-mail: shyamal.bhattacharyya@siemens.com

Ranchi

2/44 New Area Gandhi Nagar
Flat Name - Lila Raj Sadhan, 2nd Floor
Hinoo, Ranchi - 834002
Mobile: +91 7766906595
E-mail: bikram.sarkar@siemens.com

Renukoot

Raj Bhawan (Near Khatu Shyam Mandir)
Awadh Colony, Murdhwa, Renukoot
Sonebhadra - 231217, UP
Mobile: +91 9889384222
E-mail: umesh.pandey@siemens.com

Rourkela

D/7, Gafour Colony, Ground Floor
Near LIC Office, Uditi Nagar
Rourkela - 769012, Odisha
Mobile: +91 9776967773
E-mail: prakhar.chaturvedi@siemens.com

Rourkela

N/6, Flat No. 3A, Civil Township
Opposite Hi-tech Medical College & Hospital
Rourkela, Odisha - 769004
Mobile: +91 9937972407
E-mail: shouvik.mitra@siemens.com

Rudrapur

Flat No. 202, Tower Indus 'B'
Omaxe Reviera Ltd.
Rudrapur - 263153, Uttarakhand
Mobile: +91 9918002525
E-mail: atul.shukla@siemens.com

Nagpur

5th Floor, Land Mark Building
Wardha Road, Ramdas Peth
Nagpur - 440 010
☎ : +91 712 3093000
Fax: +91 712 3093111

Pune

Tower B/701-705, ICC Trade Tower
403A, Senapati Bapat Road
Pune - 411016
☎ : +91 20 30466000
Fax: +91 20 30466066

Vishakhapatnam

2nd Floor, 30-8-47
Lakshmi Narasimha Towers
Banu Street, Daba Gardens
Vishakhapatnam - 530 020
Andhra Pradesh
☎ : +91 891 3050200
Fax: +91 891 3050222

Rudrapur

Flat No. 104, Tower Rhone 'C'
Omaxe Reviera Ltd.
Rudrapur - 263153, Uttarakhand
Mobile: +91 9621070111
E-mail: abhinav.rastogi@siemens.com

Salem

Rajagiraham, Lumbini Illam
No. 20, Palaniappa Nagar Hasthampatti
Salem - 636007
Mobile: +91 8754922245
E-mail: g.suresh@siemens.com

Siliguri

Clo. Radhagobindo Paul
Syed Mustafa Ali Road, Hakimpara
Raja Ramnohan Roy, Hakimpara
Ward Number XV, Dist. Darjeeling - 741201
Mobile: +91 9932276294
E-mail: dibjoyoti.karmakar@siemens.com

Sonepat

H.No. 1103, 1st Floor, Sector-14
Sonepat, Haryana - 131001
Mobile: +91 9855261222
E-mail: kumar.manish@siemens.com

Sriperumbudur

2/32 Block, 3rd Floor, Flat No. 31
TVH svaya apartments
Near Venagadu Village, Kundrathur Road
Sriperumbudur - 602105
Mobile: +91 9884102638
E-mail: venkatesh.janakiraman@siemens.com

Surat

B/A, Navrachana Society, Opp.D.K.Park
Bhatar Road, Surat - 395001
Mobile: +91 9859510191
E-mail: mitul.kapadia@siemens.com

Surat

A-604, Stuti Universal, Green City Road
Pal-Adajan, Surat - 395009, Gujarat
Mobile: +91 9712445504
E-mail: harshwardhan.mishra@siemens.com

Trichy

1/1209-B, 6th Cross Street, West Extension
Vasan Nagar, Bettai Vaikkal, Vayalar Road
Trichy - 620102
Mobile: +91 9176609375
E-mail: Muthu.kumar@siemens.com

Trivandrum

Flat No. 30, Ganga Nilayam
Swathy Nagar, Kazhakkuttom
Trivandrum 695582
Mobile: +91 9947957839
E-mail: nobin.babu@siemens.com

Udaipur

A-39, New Ahinsapuri, Fatehpura
Udaipur - 313004
Mobile: +91 9983691888
E-mail: anurag.shah@siemens.com

Ujjain

Tirupati Hights, B-Block, Flat No. 206
Nana Kheda, Ujjain-Indore Road
Ujjain - 456010 (MP)
Mobile: +91 8889911401
E-mail: bhadauria.amit@siemens.com

Vapi

Flat No. 2